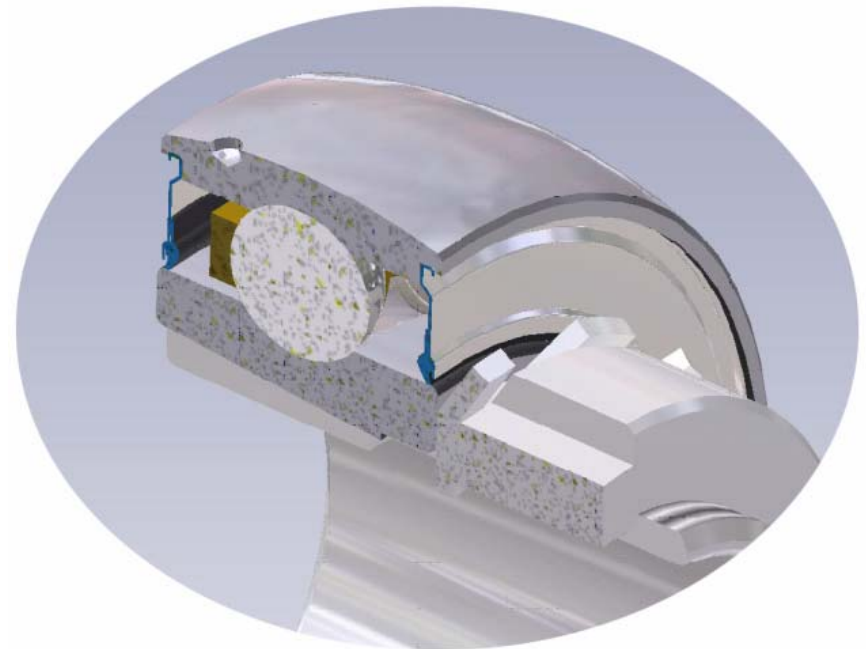


## New product development

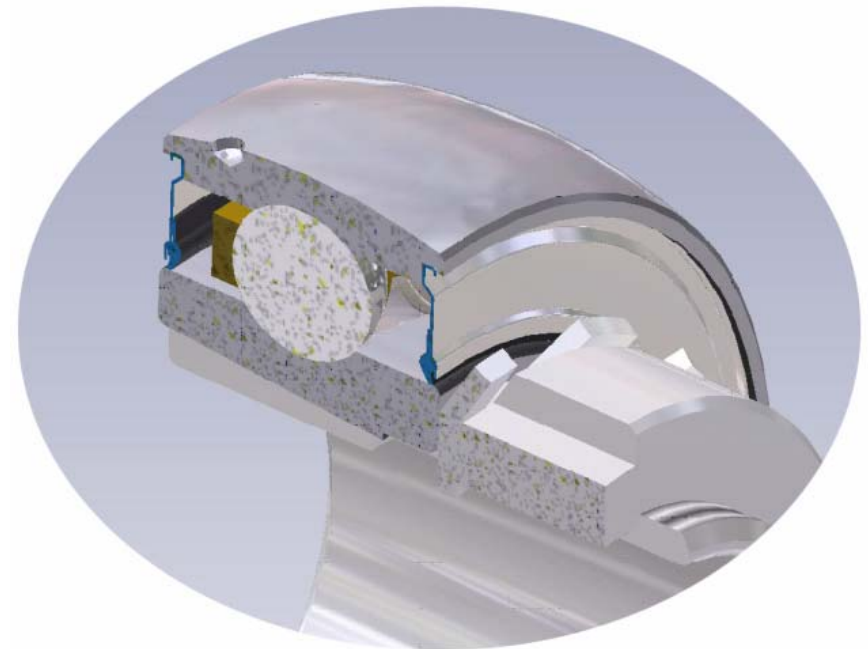
Ball bearing insert with **integral adapter sleeve**  
- Integration into the standard range -

*Presentation*  
*LK200G2H*  
*April 2006*



## Content

1. *Nomenclature*
2. *Features*
3. *Components and design*
4. *Technical characteristics*
  - a. *Dimensions*
  - b. *Fastening torques (locknut)*
  - c. *Materials*
  - d. *Lubrication*
  - e. *Load carrying capacity*
  - f. *Revolution speeds*



# 1. Nomenclature

**L K 206 G2 H**

L = light

K = tapered (**k**onisch\*)

\* *the German word for tapered*

206 = shaft diameter (30 mm)

G2 = equipped with SNR lubrication system

H = adapter sleeve (HLK2306)

Example for a complete unit: **LKP206H**



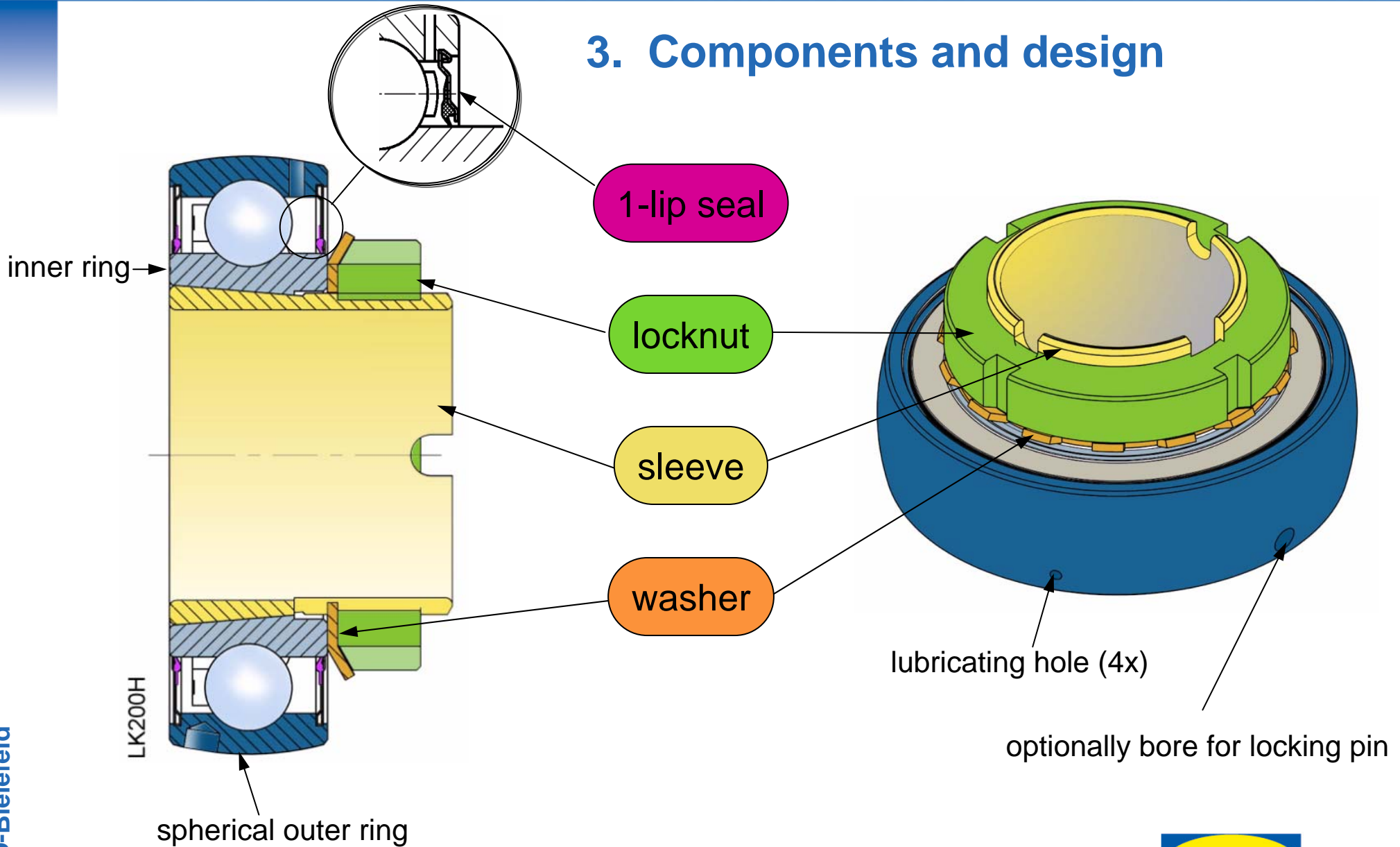
## 2. Features

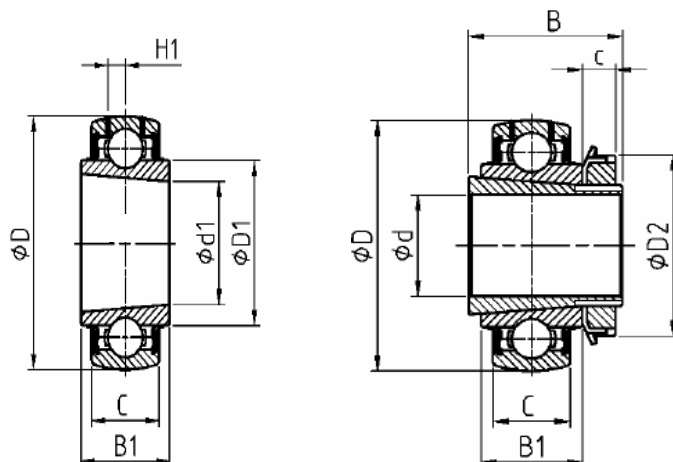
### Ball bearing inserts with integral adapter sleeve ...

- are dedicated for use in housings from grey cast with a spherical bearing seat.
- are delivered completely with sleeve, locknut and lock washer.
- are connected to the shaft concentrically with a force fit by means of the adapter sleeve.
- are suitable for drawn shafts up to grade h9.
- are equipped with the typical G2 relubrication system of SNR.
- are prepared for locking pin application.
- come equipped with for-life lubrication.
- are for operating temperatures between -20°C (-4°F) and +120°C (+248°F).
- have a radial internal clearance C3 (tapered bore).



### 3. Components and design





## 4. Technical characteristics

### a. Dimensions

Shaft diameter	Insert + Adapter sleeve	Main dimensions [mm]								Insert	Adapter sleeve	Dynamic load rating	Static load rating	Total weight insert	Shaft diameter
d [mm]		D	C	B1	c	B	D1	D2	H1			Cr [kN]	C0r [kN]	[kg]	d [mm]
20	LK204G2H	47	14	15	9	28	30,9	32	4,0	LK204	HLK2304	12,60	6,90	0,14	20
25	LK205G2H	52	15	15	9,2	28	35,7	38	4,3	LK205	HLK2305	13,60	8,00	0,17	25
30	LK206G2H	62	18	18	10,7	32	43,0	45	5,0	LK206	HLK2306	18,80	11,50	0,28	30
35	LK207G2H	72	19	19	11,2	34	48,6	52	5,8	LK207	HLK2307	24,10	15,20	0,40	35
40	LK208G2H	80	21	22	12,2	38	55,0	58	6,3	LK208	HLK2308	28,80	19,30	0,54	40
45	LK209G2H	85	22	22	12,2	38	59,2	62	6,8	LK209	HLK2309	33,20	22,60	0,57	45
50	LK210G2H	90	22	22	14,2	40	64,2	70	6,5	LK210	HLK2310	33,10	23,10	0,68	50



## 4. Technical characteristics

### b. Fastening torques

Fastening torques of locknuts

Bearing insert	Fastening torque [Nm]	Hook spanner DIN1810A
LK204G2H	13 ... 17	30/32
LK205G2H	22 ... 28	34/36
LK206G2H	33 ... 40	45/50
LK207G2H	47 ... 56	52/55
LK208G2H	70 ... 80	58/62
LK209G2H	81 ... 89	58/62
LK210G2H	90 ... 105	68/75

### c. Materials

Insert: 100Cr6 (AISI 52100)

Sleeve: St 52-3 (blue chromate)

Lock washer: (blue chromate)

Locknut: (blue chromate)

### d. Lubrication

Sealing:

For use under normal conditions.

Carrier from sheet metal with one lip NBR seal.

For-life lubrication.

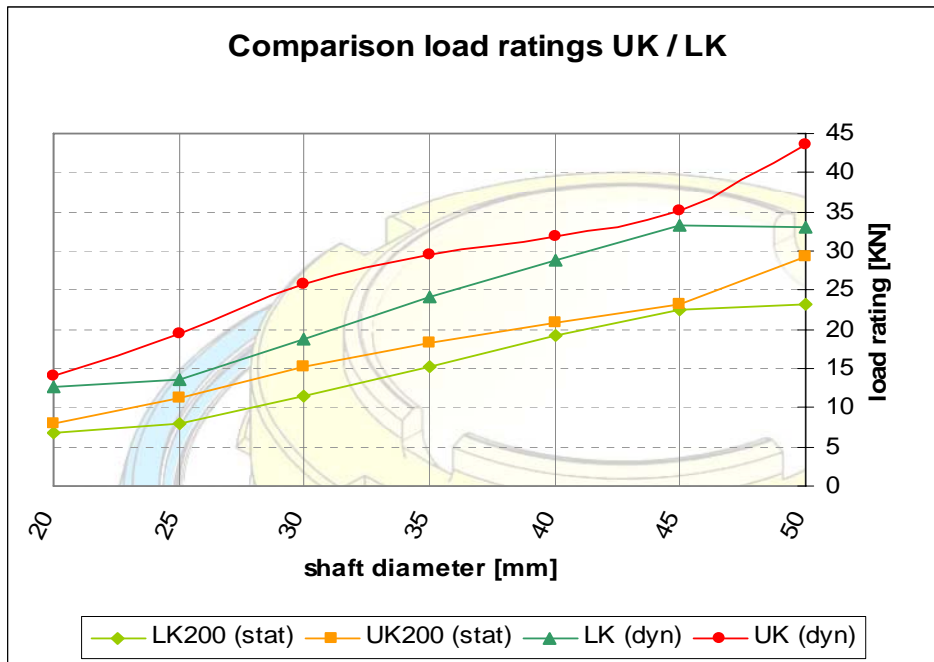
Grease base: Lithium soap

Operating temperature: -20°C / -4°F to +120°C / +248°F

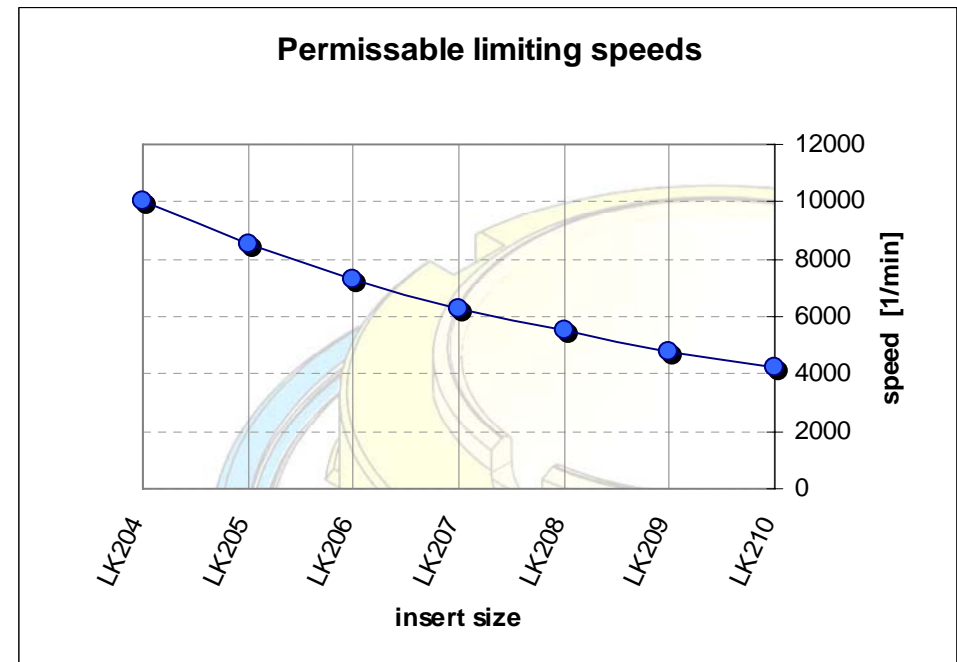


# 4. Technical characteristics

## e. Load carrying capacity



## f. Revolution speeds



*UK insert versus LK insert*