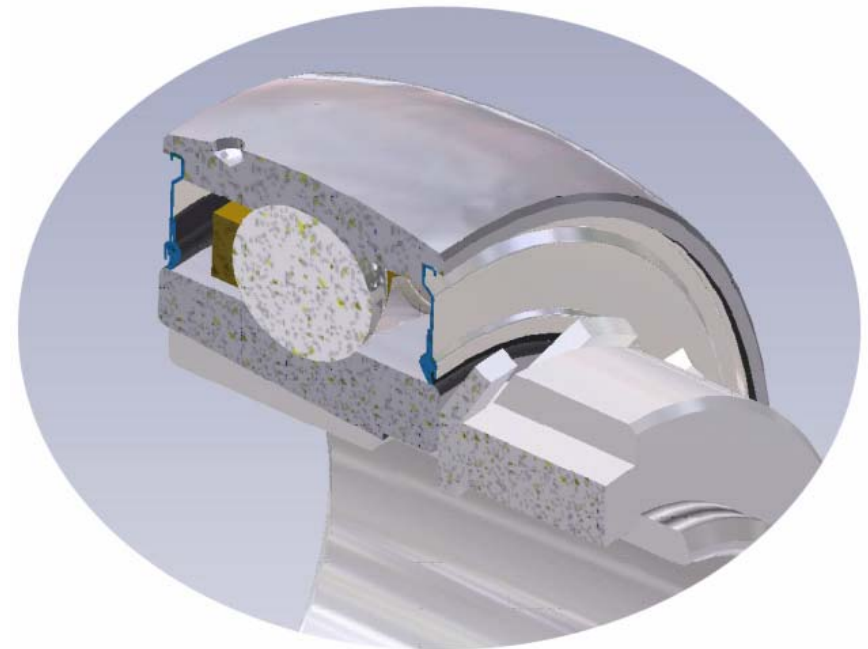


New product development

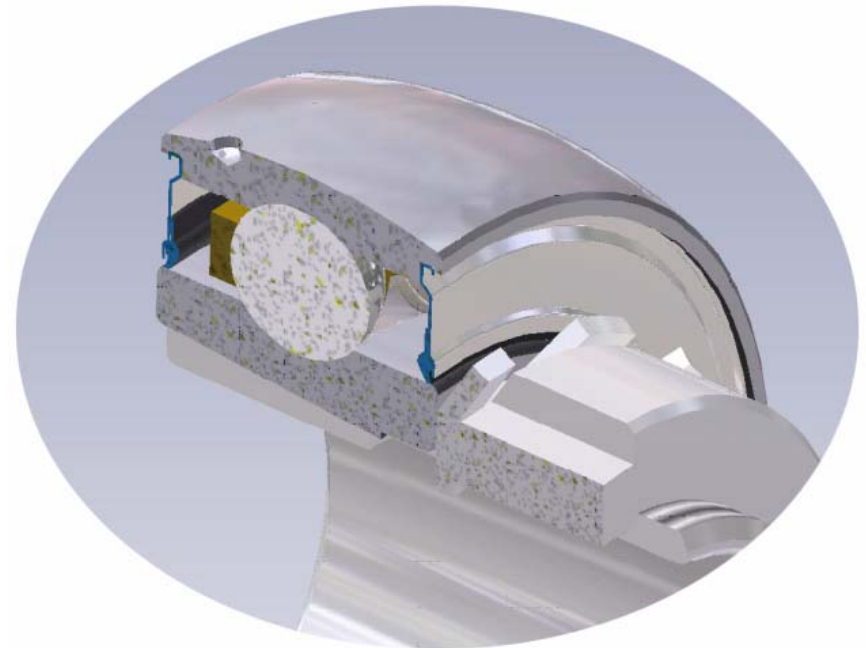
Ball bearing insert with **integral adapter sleeve**
- Integration into the standard range -

Presentation
LK200G2H
April 2006



Content

1. *Nomenclature*
2. *Features*
3. *Components and design*
4. *Technical characteristics*
 - a. *Dimensions*
 - b. *Fastening torques (locknut)*
 - c. *Materials*
 - d. *Lubrication*
 - e. *Load carrying capacity*
 - f. *Revolution speeds*



1. Nomenclature

L K 206 G2 H

L = light

K = tapered (**k**onisch*)

* *the German word for tapered*

206 = shaft diameter (30 mm)

G2 = equipped with SNR lubrication system

H = adapter sleeve (HLK2306)

Example for a complete unit: **LKP206H**



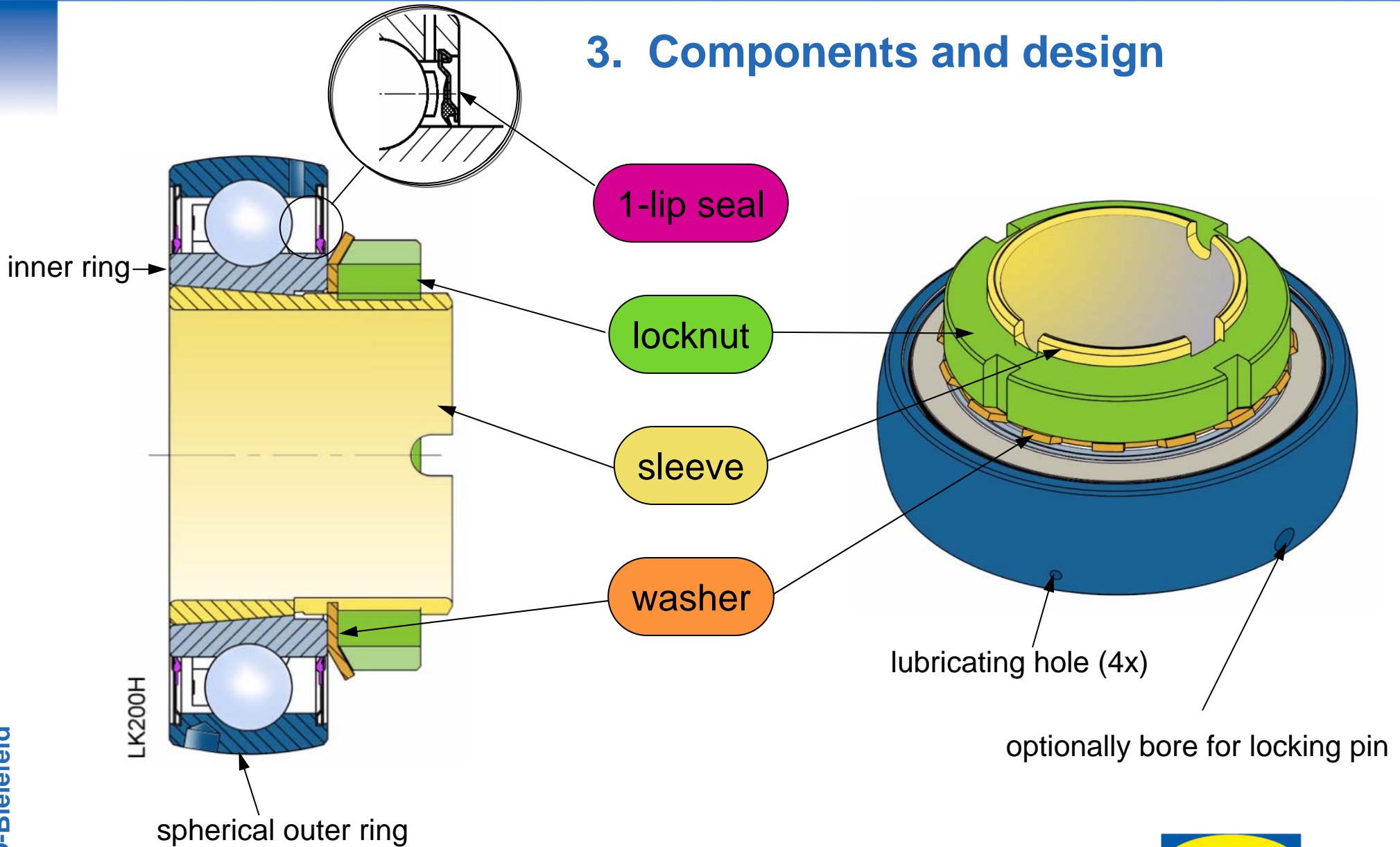
2. Features

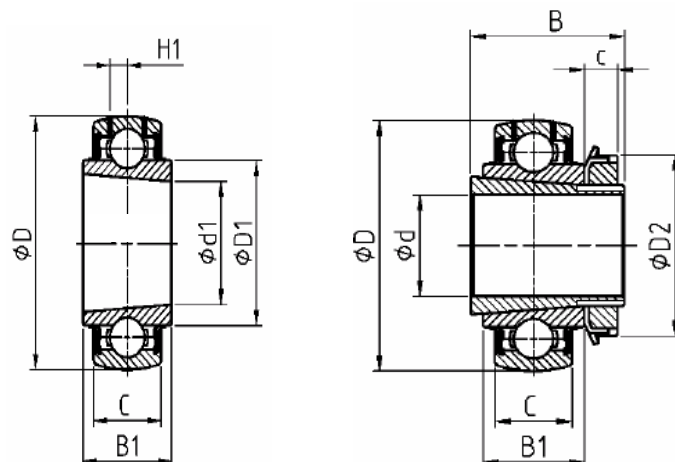
Ball bearing inserts with integral adapter sleeve ...

- are dedicated for use in housings from grey cast with a spherical bearing seat.
- are delivered completely with sleeve, locknut and lock washer.
- are connected to the shaft concentrically with a force fit by means of the adapter sleeve.
- are suitable for drawn shafts up to grade h9.
- are equipped with the typical G2 relubrication system of SNR.
- are prepared for locking pin application.
- come equipped with for-life lubrication.
- are for operating temperatures between -20°C (-4°F) and +120°C (+248°F).
- have a radial internal clearance C3 (tapered bore).



3. Components and design





4. Technical characteristics

a. Dimensions

| Shaft diameter | Insert + Adapter sleeve | Main dimensions [mm] | | | | | | | | Insert | Adapter sleeve | Dynamic load rating | Static load rating | Total weight insert | Shaft diameter |
|----------------|-------------------------|----------------------|----|----|------|----|------|----|-----|--------|----------------|---------------------|--------------------|---------------------|----------------|
| d [mm] | | D | C | B1 | c | B | D1 | D2 | H1 | | | Cr [kN] | C0r [kN] | [kg] | d [mm] |
| 20 | LK204G2H | 47 | 14 | 15 | 9 | 28 | 30,9 | 32 | 4,0 | LK204 | HLK2304 | 12,60 | 6,90 | 0,14 | 20 |
| 25 | LK205G2H | 52 | 15 | 15 | 9,2 | 28 | 35,7 | 38 | 4,3 | LK205 | HLK2305 | 13,60 | 8,00 | 0,17 | 25 |
| 30 | LK206G2H | 62 | 18 | 18 | 10,7 | 32 | 43,0 | 45 | 5,0 | LK206 | HLK2306 | 18,80 | 11,50 | 0,28 | 30 |
| 35 | LK207G2H | 72 | 19 | 19 | 11,2 | 34 | 48,6 | 52 | 5,8 | LK207 | HLK2307 | 24,10 | 15,20 | 0,40 | 35 |
| 40 | LK208G2H | 80 | 21 | 22 | 12,2 | 38 | 55,0 | 58 | 6,3 | LK208 | HLK2308 | 28,80 | 19,30 | 0,54 | 40 |
| 45 | LK209G2H | 85 | 22 | 22 | 12,2 | 38 | 59,2 | 62 | 6,8 | LK209 | HLK2309 | 33,20 | 22,60 | 0,57 | 45 |
| 50 | LK210G2H | 90 | 22 | 22 | 14,2 | 40 | 64,2 | 70 | 6,5 | LK210 | HLK2310 | 33,10 | 23,10 | 0,68 | 50 |



4. Technical characteristics

b. Fastening torques

Fastening torques of locknuts

| Bearing insert | Fastening torque [Nm] | Hook spanner DIN1810A |
|----------------|-----------------------|-----------------------|
| LK204G2H | 13 ... 17 | 30/32 |
| LK205G2H | 22 ... 28 | 34/36 |
| LK206G2H | 33 ... 40 | 45/50 |
| LK207G2H | 47 ... 56 | 52/55 |
| LK208G2H | 70 ... 80 | 58/62 |
| LK209G2H | 81 ... 89 | 58/62 |
| LK210G2H | 90 ... 105 | 68/75 |

c. Materials

Insert: 100Cr6 (AISI 52100)

Sleeve: St 52-3 (blue chromate)

Lock washer: (blue chromate)

Locknut: (blue chromate)

d. Lubrication

Sealing:

For use under normal conditions.

Carrier from sheet metal with one lip NBR seal.

For-life lubrication.

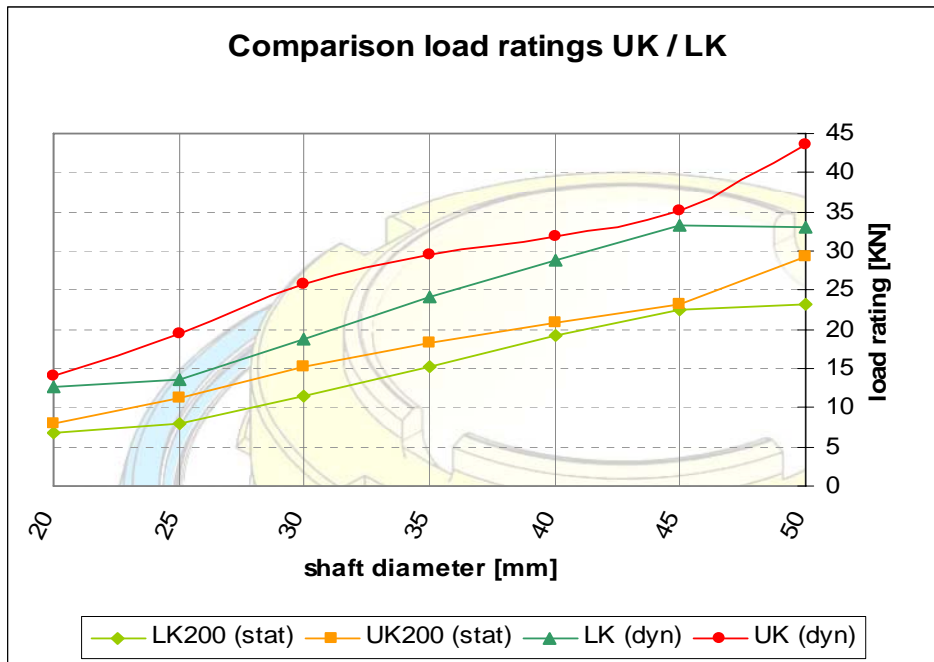
Grease base: Lithium soap

Operating temperature: -20°C / -4°F to +120°C / +248°F

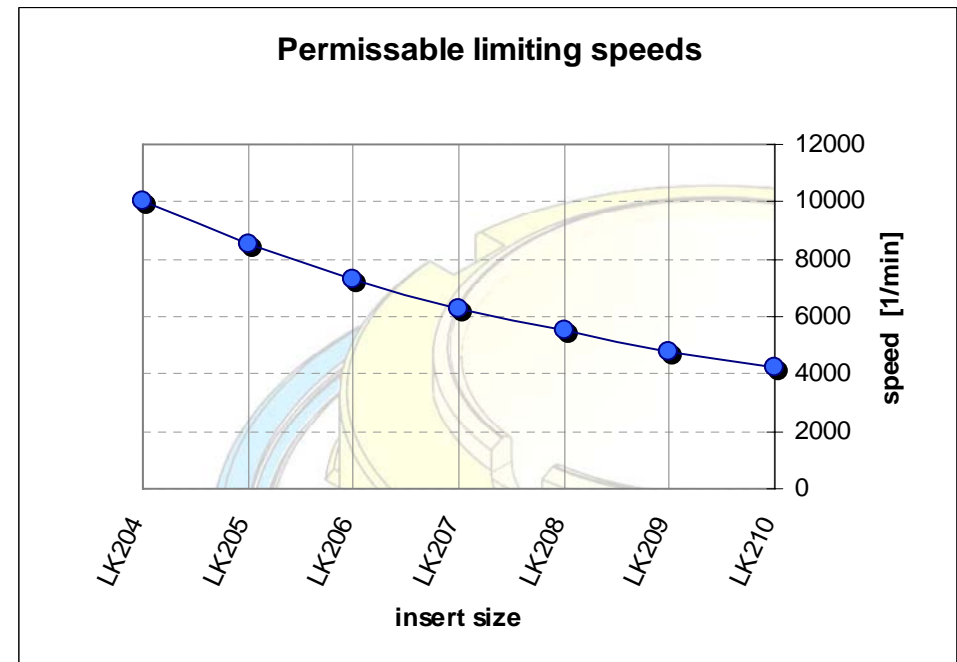


4. Technical characteristics

e. Load carrying capacity



f. Revolution speeds



UK insert versus LK insert